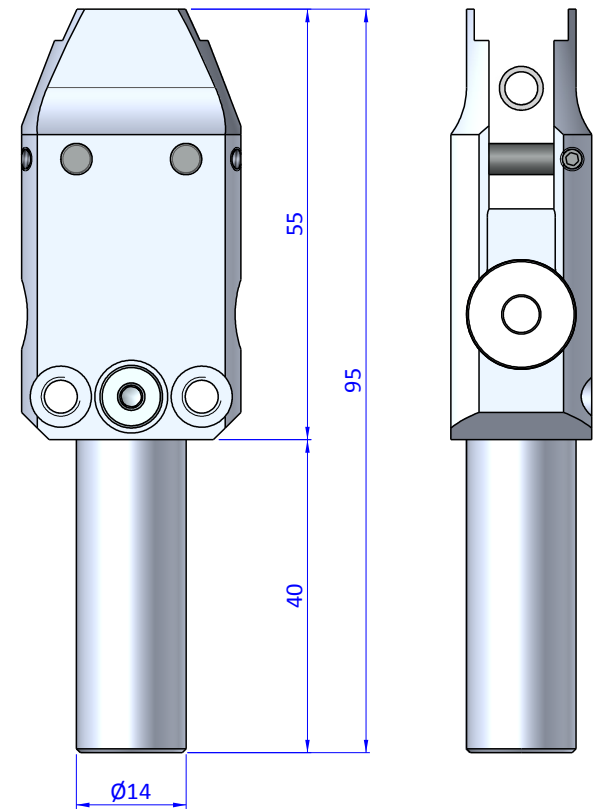
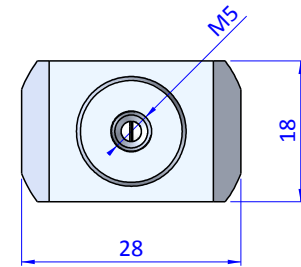
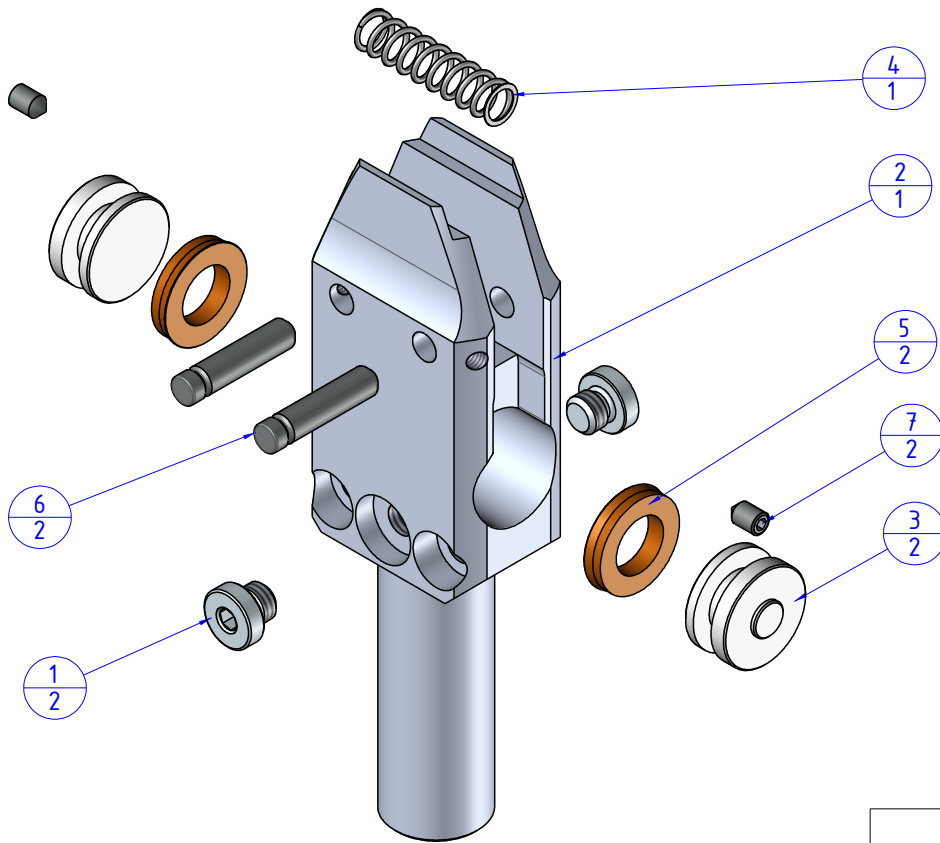



THE PROPERTY OF THE DRAWING IS ESTABLISHED BY LAW. IT IS FORBIDDEN TO PRODUCE OR SHOW IT TO THIRD PARTY, WITHOUT A WRITTEN AGREEMENT.

Object Number	Name	QTY
1	CA.08.14.013	2
2	GTS.1003.01	1
3	GTS.1003.02	2
4	M.5,6x22	1
5	PSP.1408255	2
6	SP.4X18M6.LAV	2
7	V.ST M3X5	2



Format A3

UNI 936-76

 <b>FPS</b> FPSERVICES AUTOMATION		DESIGNED FROM		REVIEW
		FPS Automation		A
GENERAL TOLERANCE		DATE	WEIGHT	
UNI - ISO 2768		29/07/2019	0,057kg	
CLASSE F		CODE		
		GTS.03.M5		
		GTS.03.M5		